

# MAAX SUBMITTAL SPECIFICATIONS

# MODULR BATHTUB 6032 WALL-MOUNTED (WITH ARMRESTS)

MODEL NUMBER 410009

DIMENSIONS: 60" x 32" x 24" Acrylic



Vivez l'expérience

# MAAX®

Enjoy the experience

## STANDARD FEATURES

- Two-piece bathtub with removable toe-kick
- Deck-mounted faucets
- Integrated tiling flange on the skirt and bathtub
- Lockable adjustable legs for ease of installation
- 3 in. Above-the-Floor Rough (AFR)

## OPTIONS

- Flexible waste and overflow (included in product packaging when purchased)
- Brass waste and overflow for high-rise construction
- OPT 20251 - Access panel
- Glass shelf
- Foam pillow with 2 suction pads

## UNIQUE FEATURES

- Above-the-Floor Rough (AFR)
- 1 Tub - 2 Pieces

## SYSTEMS

- None

## DOOR SELECTION

Combine with MAAX's complete shower door offering visit [www.maax.com](http://www.maax.com)

## CERTIFICATIONS

Maax products adhere to one or more of the following certifications:



Project : .....

Contractor : .....

MAAX Representative : ..... Tel : .....

Date : .....

[www.maax.com](http://www.maax.com)

2016-09-14

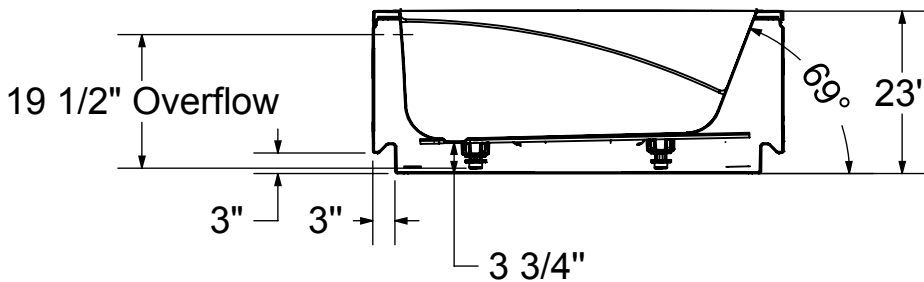
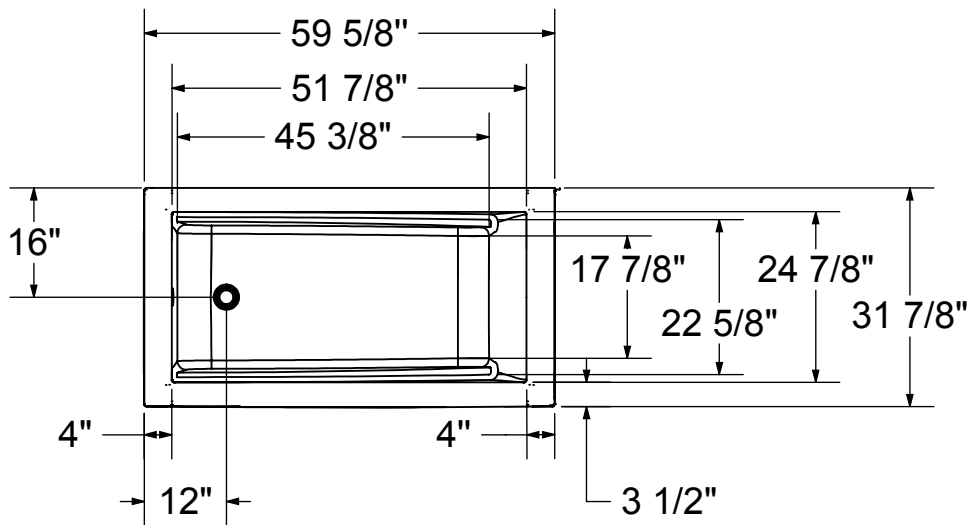
MAAX SUBMITTAL SPECIFICATIONS

**MODULR BATHTUB 6032  
 WALL-MOUNTED (WITH  
 ARMRESTS)**

MODEL NUMBER 410009

**TECHNICAL DRAWINGS**

ModulR BATHTUB: 60X32 WITH ARMREST



This technical drawing is universal for all ModulR Tub configurations. (Left/Right Corner & Wall-mounted)

Integrated tiling flange: 1" height x 3/8" thick (not shown)  
 Tiling flange position is determined by chosen configuration.

All dimensions are approximate. Structure measurements must be verified against the unit to ensure proper fit.

# MAAX SUBMITTAL SPECIFICATIONS

## MODULR BATHTUB 6032 WALL-MOUNTED (WITHOUT ARMRESTS)

MODEL NUMBER 410012

DIMENSIONS: 60" x 32" x 24" Acrylic



Project : .....

Contractor : .....

MAAX Representative : ..... Tel : .....

Date : .....

[www.maax.com](http://www.maax.com)

Vivez l'expérience  
**MAAX**<sup>®</sup>  
Enjoy the experience

### STANDARD FEATURES

- Two-piece bathtub with removable toe-kick
- Deck-mounted faucets
- Integrated tiling flange on the skirt and bathtub
- Lockable adjustable legs for ease of installation
- 3in. Above-the-Floor Rough (AFR)

### OPTIONS

- Flexible waste and overflow (included in product packaging when purchased)
- Brass waste and overflow for high-rise construction
- OPT 20251 - Access panel
- Glass shelf
- Foam pillow with 2 suction pads

### UNIQUE FEATURES

- Above-the-Floor Rough (AFR)
- 1 Tub - 2 Pieces

### SYSTEMS

- None

### DOOR SELECTION

Combine with MAAX's complete shower door offering visit [www.maax.com](http://www.maax.com)

### CERTIFICATIONS

Maax products adhere to one or more of the following certifications:



2016-09-14

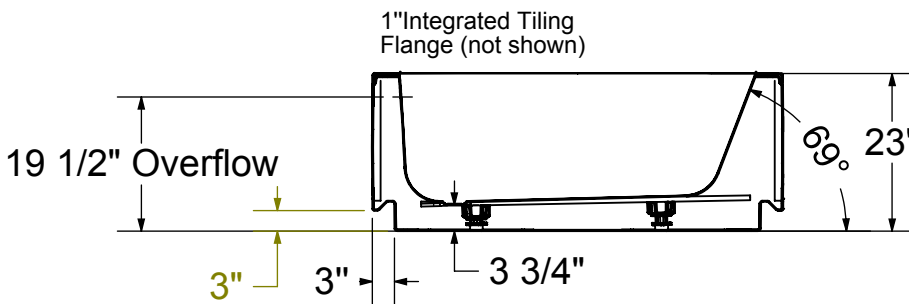
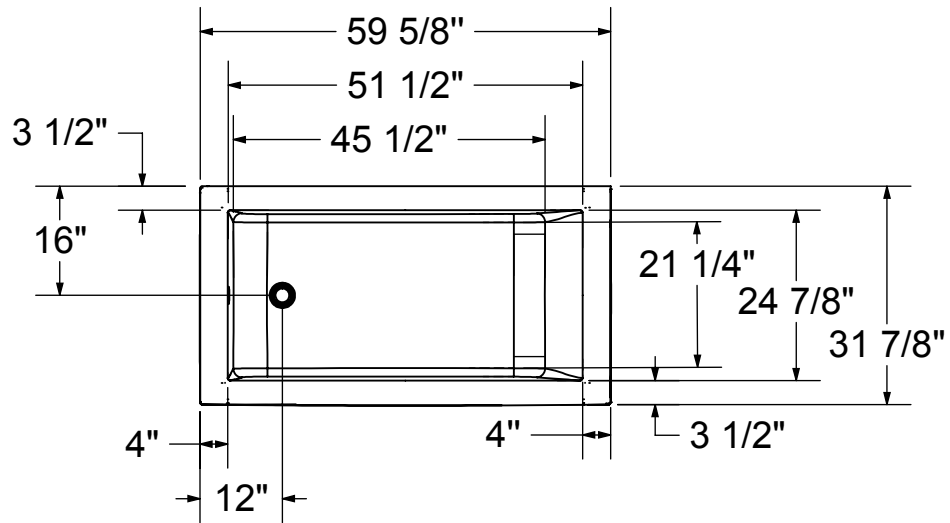
MAAX SUBMITTAL SPECIFICATIONS

**MODULR BATHTUB 6032  
 WALL-MOUNTED  
 (WITHOUT ARMRESTS)**

MODEL NUMBER 410012

**TECHNICAL DRAWINGS**

ModulR BATHTUB: 60X32 WITHOUT ARMRESTS



This technical drawing is universal for all ModulR bathtub configurations. (Left/Right Corner & Wall-mounted)

Integrated tiling flange: 1" height x 3/8" thick (not shown)  
 Tiling flange position is determined by chosen configuration.

All dimensions are approximate. Structure measurements must be verified against the unit to ensure proper fit.